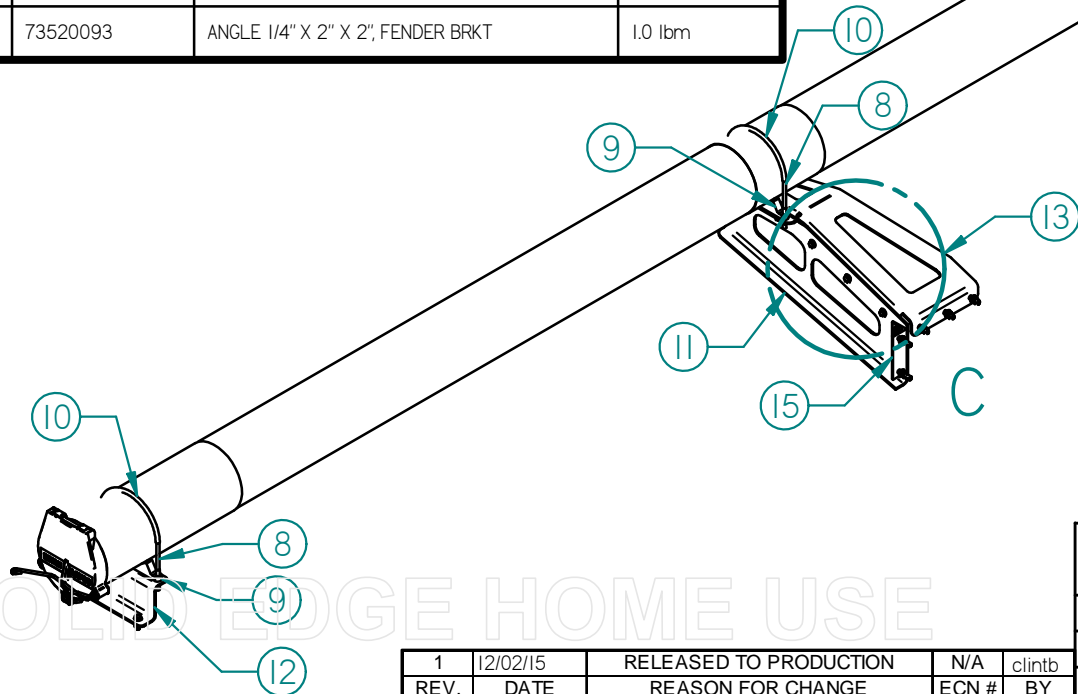
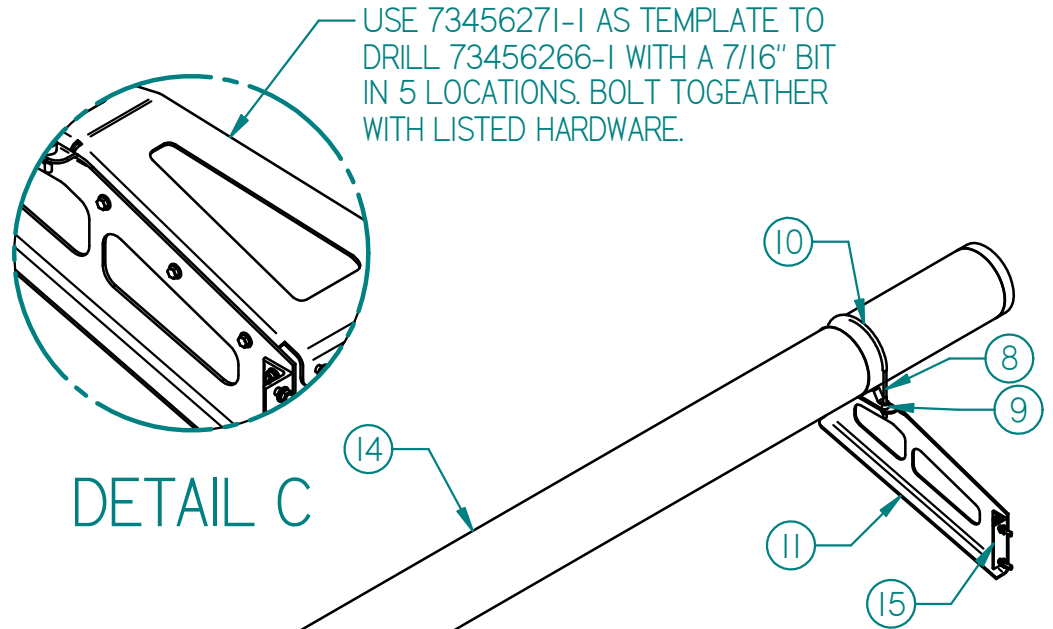


# HOSE TUBE KIT, ADD ON, DS, 8" X 21'

PART # : 73803004

ITEM	QTY.	PART No.	DESCRIPTION	WEIGHT
1	42	20103710	WASHER, 3/8" STAINLESS	0.3 lbm
2	24	20113710	WASHER LOCK, 3/8" STAINLESS	0.2 lbm
3	24	20203763	LOCK NUT, 3/8-16 STAINLESS	0.4 lbm
4	9	20303163-1.0	HHCS,3/8-16 X 1" STAINLESS	0.5 lbm
5	2	20303163-1.2	HHCS,3/8-16 X 1 1/4" STAINLESS	0.1 lbm
6	3	20303163-1.5	HHCS,3/8-16 X 1 1/2" STAINLESS	0.2 lbm
7	4	20303163-2.0	HHCS,3/8-16 X 2" STAINLESS	0.3 lbm
8	3	28173004	U-BOLT - 3/8-16 X 8" ZINC	1.9 lbm
9	3	28173005	BRKT - 8" U-BOLT, HOSE TUBE SADDLE	1.9 lbm
10	3	73456211	U-BOLT RUBBER SLEEVE 24100700	0.1 lbm
11	2	73456266-1	BRKT, 8" HOSE TUBE MOUNT TO FRAME, DS	7.8 lbm
12	1	73456267	BRKT, 8" HOSE TUBE MOUNT TO FENDER	1.4 lbm
13	1	73456271-1	HOSE TUBE GUSSET, DS, FOR ANGLE STYLE	3.9 lbm
14	1	73457000-T49	HOSE TUBE ASSEMBLY, TOP HINGE	42.7 lbm
15	2	73520093	ANGLE 1/4" X 2" X 2", FENDER BRKT	1.0 lbm

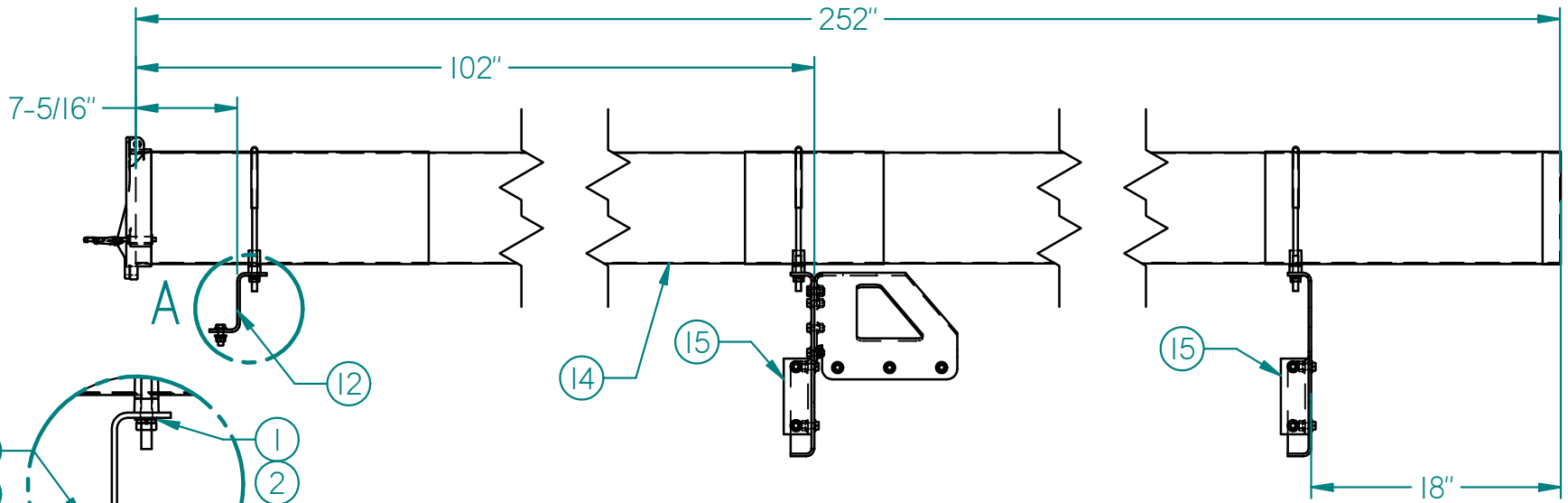
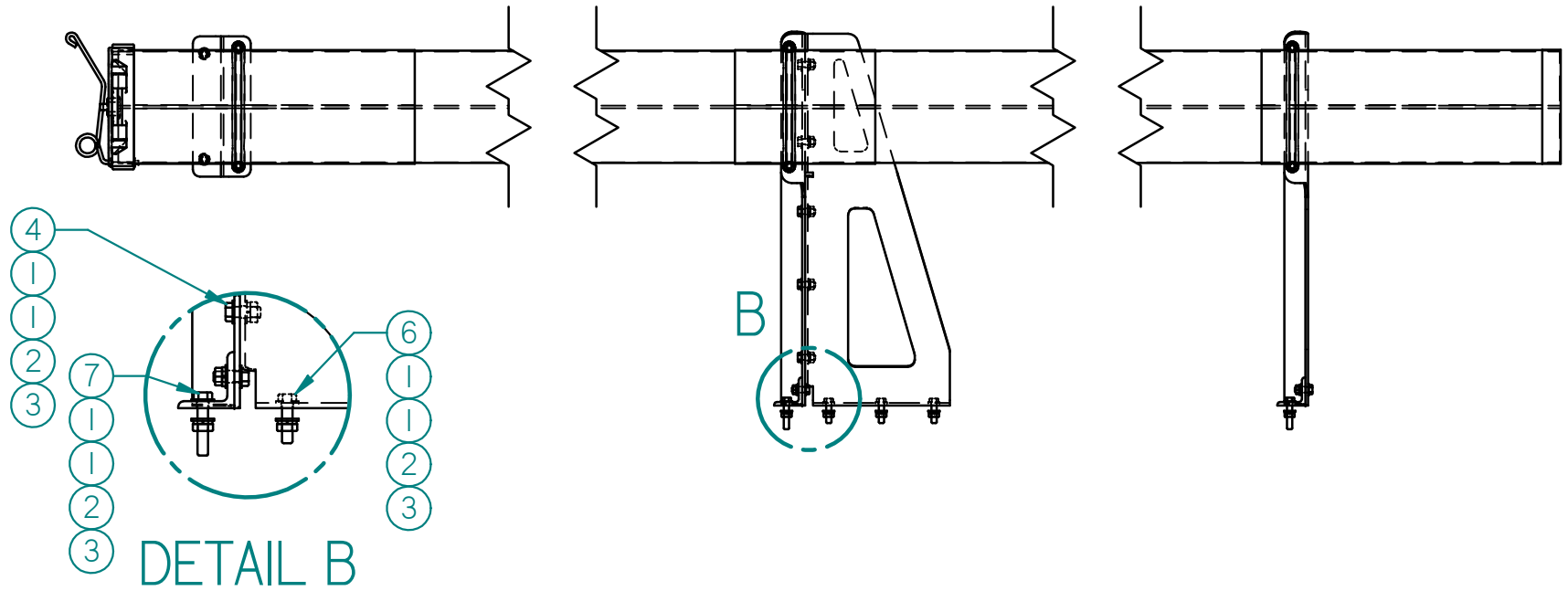


SOLID EDGE HOME USE

THIS DRAWING IS THE PROPERTY OF MAC MANUFACTURING INC. AND SUBJECT TO RECALL, AT ANY TIME. DUPLICATION OR DISTRIBUTION WITHOUT PERMISSION IS PROHIBITED.		<b>MAC</b> MANUFACTURING INC.	
UNLESS OTHERWISE SPECIFIED DIMENSIONS ARE IN INCHES ANGLES ±2° FRACTIONS ±1/16" DECIMALS: ±0.02		HOSE TUBE KIT, ADD ON, DS, 8" X 21' 49" TANDEM	
DRAWN: clintb	DATE: 12/02/15	PART # : 73803004	
WEIGHT: 62.6 lbm	PAGE 1 OF 6		

1	12/02/15	RELEASED TO PRODUCTION	N/A	clintb
REV.	DATE	REASON FOR CHANGE	ECN #	BY

# HOSE TUBE KIT, ADD ON, DS, 8" X 21'



THIS DRAWING IS THE PROPERTY OF MAC MANUFACTURING INC. AND SUBJECT TO RECALL, AT ANY TIME. DUPLICATION OR DISTRIBUTION WITHOUT PERMISSION IS PROHIBITED.

**MAC** MANUFACTURING INC.

UNLESS OTHERWISE SPECIFIED DIMENSIONS ARE IN INCHES ANGLES ±2° FRACTIONS +1/16" DECIMALS: ±0.02

HOSE TUBE KIT, ADD ON, DS, 8" X 21' 49" TANDEM

DRAWN: clintb

DATE: 12/02/15

PART #: 73803004

1	12/02/15	RELEASED TO PRODUCTION	N/A	clintb
REV.	DATE	REASON FOR CHANGE	ECN #	BY

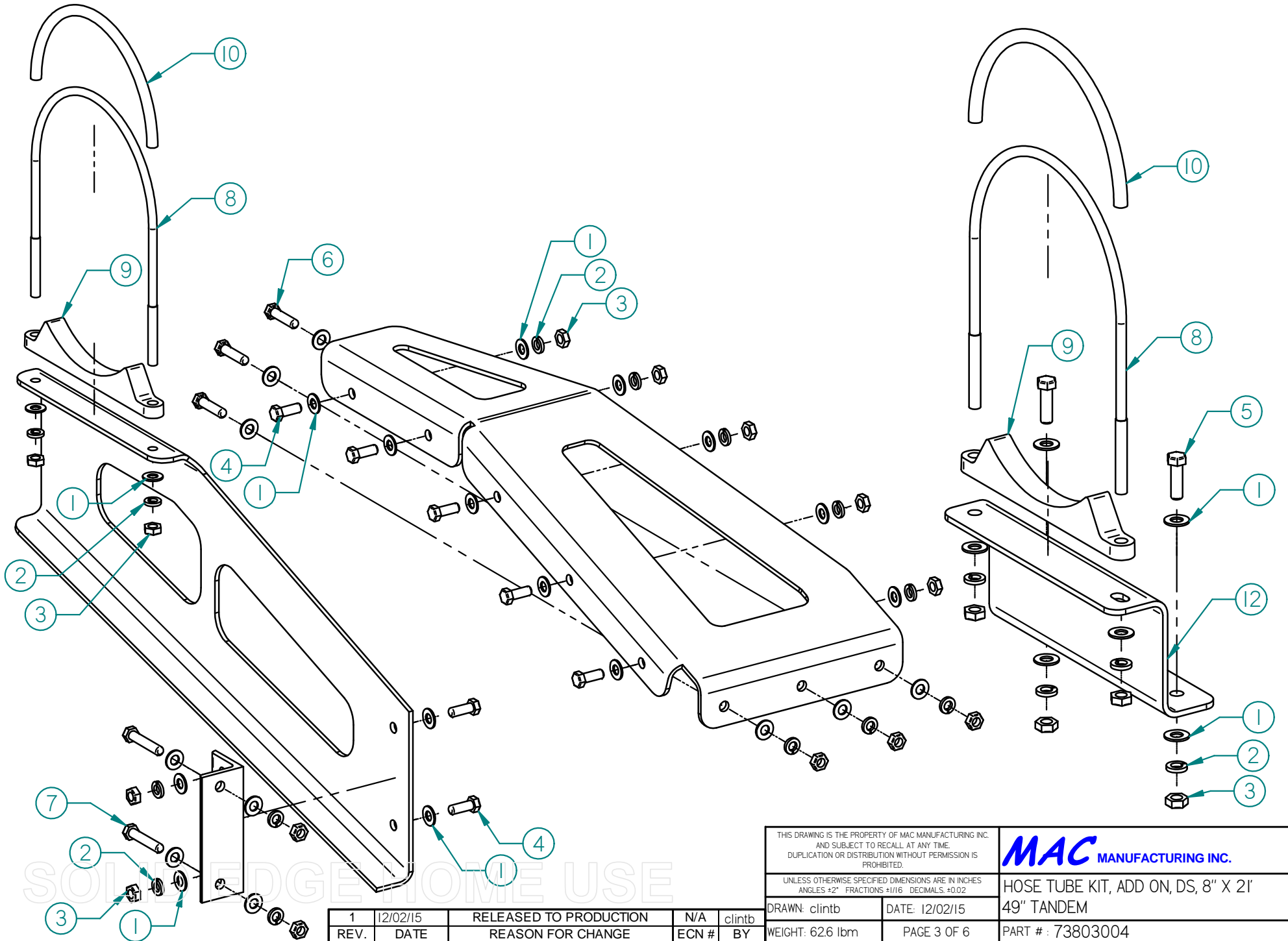
WEIGHT: 62.6 lbm

PAGE 2 OF 6

SOLID EDGE HOME USE

# HOSE TUBE KIT, ADD ON, DS, 8" X 21'

PART #: 73803004



THIS DRAWING IS THE PROPERTY OF MAC MANUFACTURING INC. AND SUBJECT TO RECALL, AT ANY TIME. DUPLICATION OR DISTRIBUTION WITHOUT PERMISSION IS PROHIBITED.

**MAC** MANUFACTURING INC.

UNLESS OTHERWISE SPECIFIED DIMENSIONS ARE IN INCHES ANGLES ±2° FRACTIONS +1/16 DECIMALS, ±0.02

HOSE TUBE KIT, ADD ON, DS, 8" X 21' 49" TANDEM

DRAWN: clintb DATE: 12/02/15

PART #: 73803004

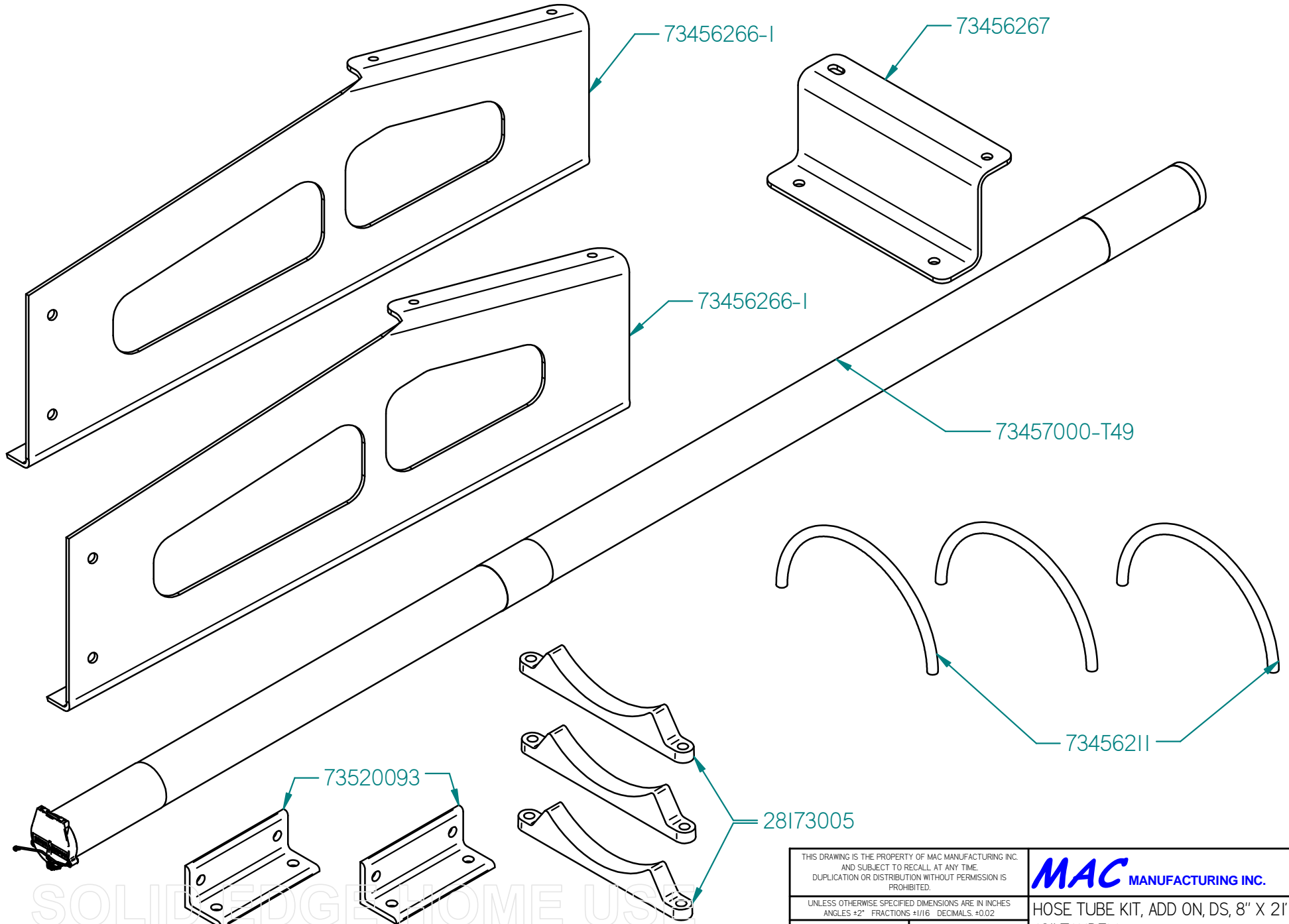
1	12/02/15	RELEASED TO PRODUCTION	N/A	clintb
REV.	DATE	REASON FOR CHANGE	ECN #	BY

WEIGHT: 626 lbm PAGE 3 OF 6

SOLO EDGE HOME USE

# HOSE TUBE KIT, ADD ON, DS, 8" X 21'

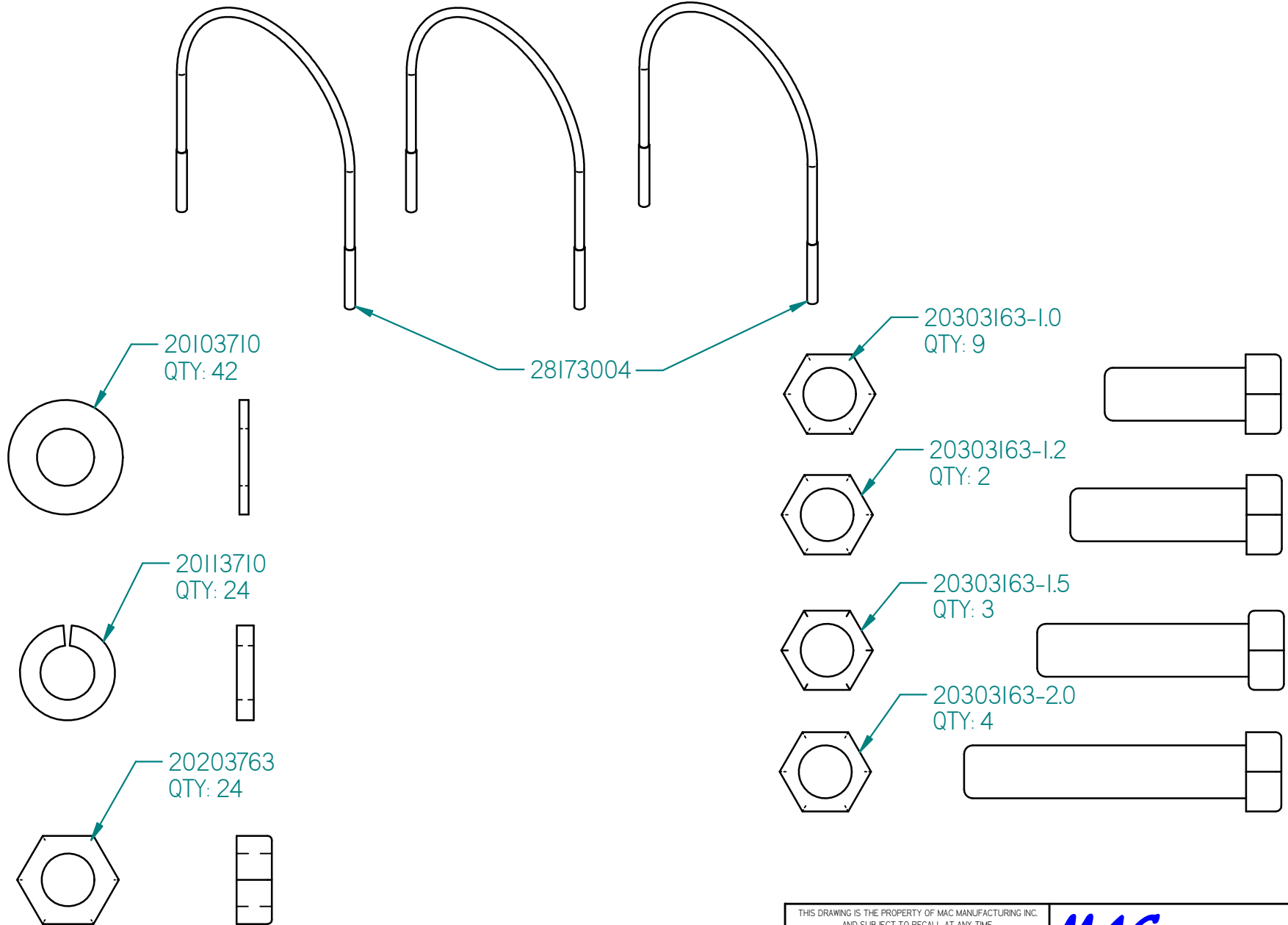
PART #: 73803004



THIS DRAWING IS THE PROPERTY OF MAC MANUFACTURING INC. AND SUBJECT TO RECALL AT ANY TIME. DUPLICATION OR DISTRIBUTION WITHOUT PERMISSION IS PROHIBITED.		<b>MAC</b> MANUFACTURING INC.	
UNLESS OTHERWISE SPECIFIED DIMENSIONS ARE IN INCHES ANGLES ±2° FRACTIONS ±1/16" DECIMALS ±0.02		HOSE TUBE KIT, ADD ON, DS, 8" X 21' 49" TANDEM	
DRAWN: clintb	DATE: 12/02/15	PART #: 73803004	
WEIGHT: 62.6 lbm	PAGE 4 OF 6		

1	12/02/15	RELEASED TO PRODUCTION	N/A	clintb
REV.	DATE	REASON FOR CHANGE	ECN #	BY

# HOSE TUBE KIT, ADD ON, DS, 8" X 21'



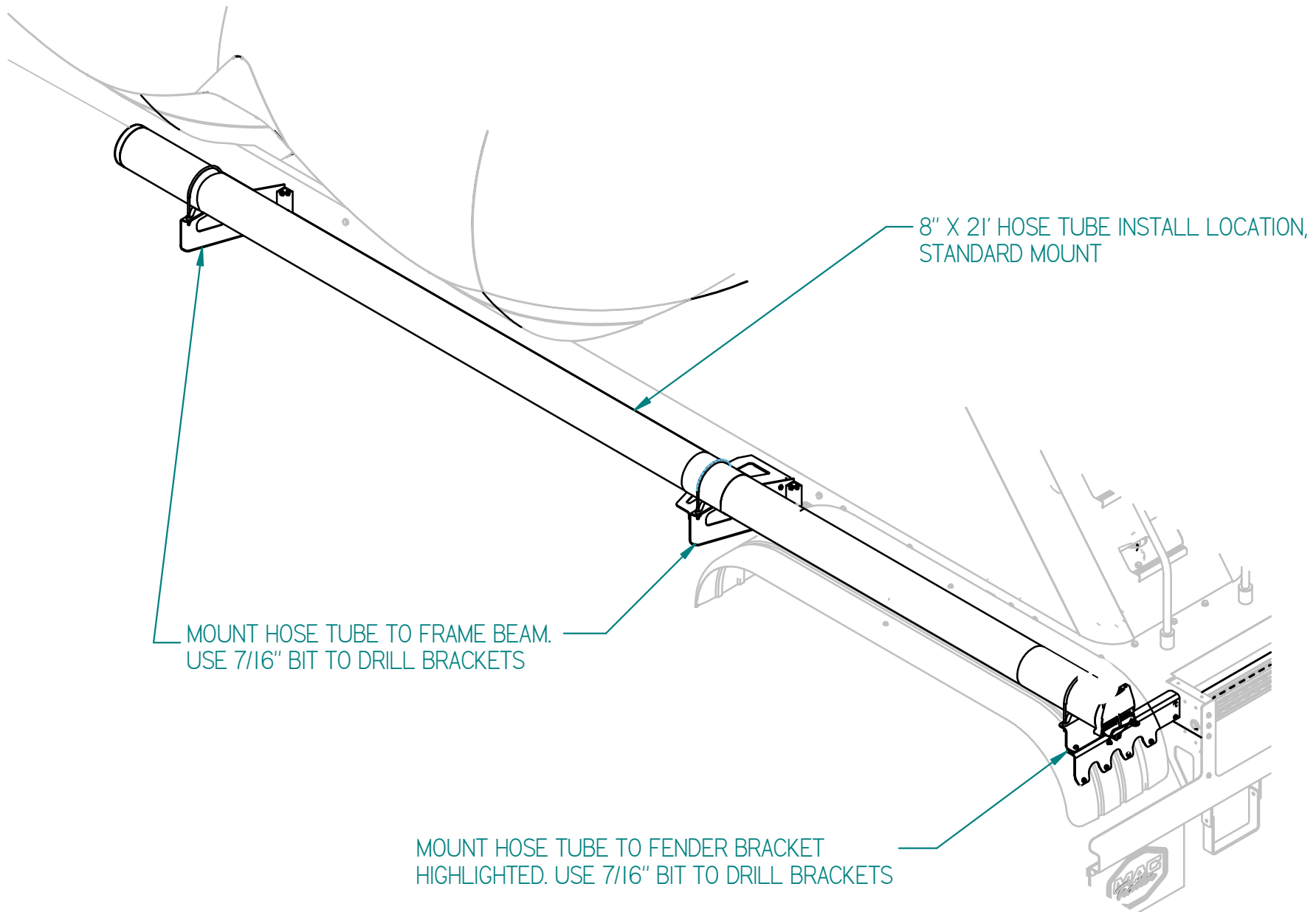
SOLID EDGE HOME USE

THIS DRAWING IS THE PROPERTY OF MAC MANUFACTURING INC. AND SUBJECT TO RECALL, AT ANY TIME. DUPLICATION OR DISTRIBUTION WITHOUT PERMISSION IS PROHIBITED.		<b>MAC</b> MANUFACTURING INC.	
UNLESS OTHERWISE SPECIFIED DIMENSIONS ARE IN INCHES ANGLES ±2° FRACTIONS ±1/16 DECIMALS ±0.02		HOSE TUBE KIT, ADD ON, DS, 8" X 21' 49" TANDEM	
DRAWN: clintb	DATE: 12/02/15	PART #: 73803004	
WEIGHT: 626 lbm	PAGE 5 OF 6		

1	12/02/15	RELEASED TO PRODUCTION	N/A	clintb
REV.	DATE	REASON FOR CHANGE	ECN #	BY

# HOSE TUBE KIT, ADD ON, DS, 8" X 21'

PART # : 73803004



SOLID EDGE HOME USE

THIS DRAWING IS THE PROPERTY OF MAC MANUFACTURING INC. AND SUBJECT TO RECALL AT ANY TIME. DUPLICATION OR DISTRIBUTION WITHOUT PERMISSION IS PROHIBITED.

**MAC** MANUFACTURING INC.

UNLESS OTHERWISE SPECIFIED DIMENSIONS ARE IN INCHES ANGLES ±2° FRACTIONS ±1/16" DECIMALS ±0.02

HOSE TUBE KIT, ADD ON, DS, 8" X 21' 49" TANDEM

1	12/02/15	RELEASED TO PRODUCTION	N/A	clintb
REV.	DATE	REASON FOR CHANGE	ECN #	BY

DRAWN: clintb

DATE: 12/02/15

WEIGHT: 62.6 lbm

PAGE 6 OF 6

PART # : 73803004